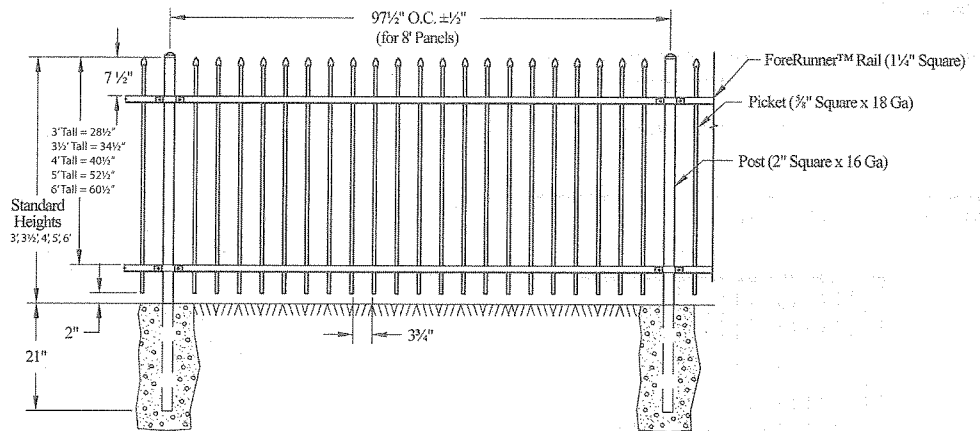
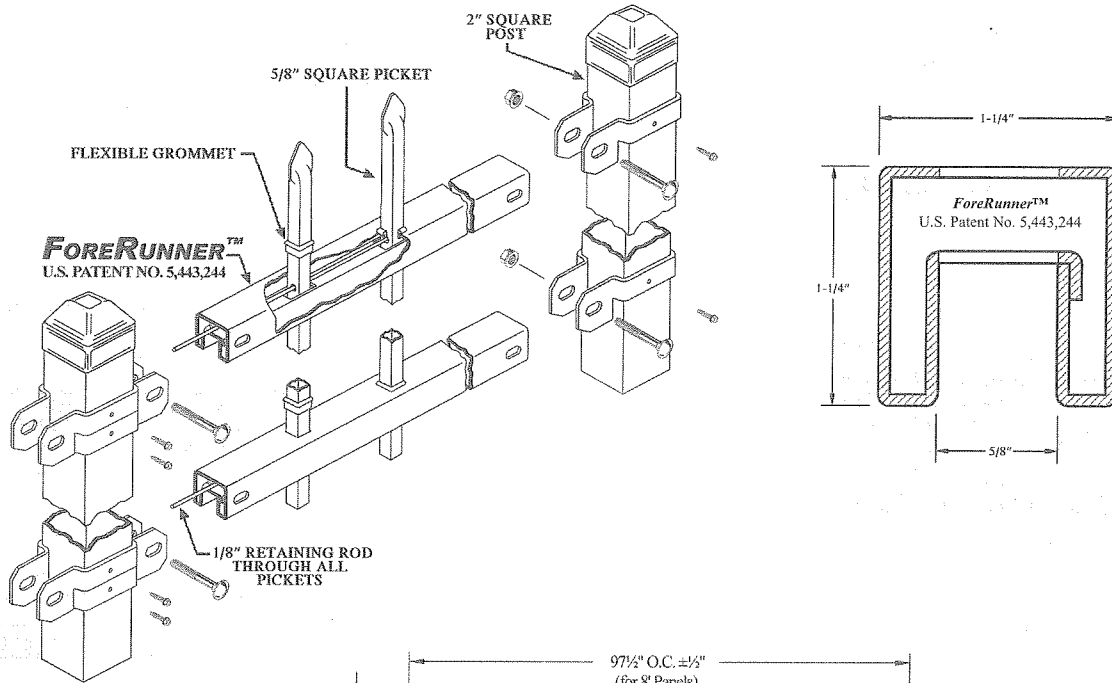


AEGIS®

RESIDENTIAL ORNAMENTAL FENCE

Aegis Rails: Double walled channel 1-1/4" sq. x .125" (effective wall thickness)

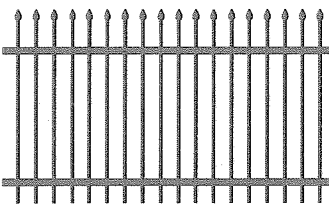
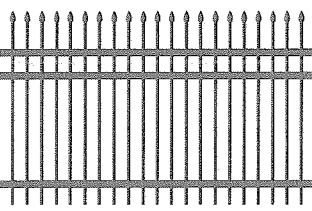
Aegis Pickets: 5/8" x 5/8" x 18 Ga.

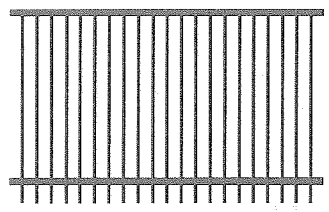
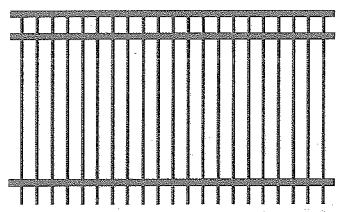


Span	8' Nominal (94-5/8" Rail)		
Post Size	2"	2"	2"
Bracket Type	Residential Universal Boulevard (BB206)	Residential Line Boulevard (BB200)	Residential Flat Mount (BB204)
Post Settings ± 1/2" O.C.	97-1/2"	97-1/2"	97-1/2"



- ForeRunner™ Rail Doubles Strength
- “Good Neighbor” - No Exposed Fasteners
- PermaCoat® Coating - Variety Of Colors
- Maintenance-Free Finish Over Steel
- Biasable To Follow Landscape Grades
- Stainless Steel Brackets And Fasteners

ITEM DESCRIPTION	PART NUMBER/COLOR				DEALER PRICE	FENCE HT	WT
	BLACK	BRONZE	WHITE	DESERT SAND			
Classic™ Panels (2-Rail) 8' - 1-5/8" O.C.  21 Pickets Per Panel	CB234	CN234 (N/S)	CW234 (N/S)	CS234 (N/S)	107.78	3	40
	CB240 (N/S)	CN240 (N/S)	CW240 (N/S)	CS240 (N/S)	114.71	3-1/2	44
	CB246	CN246 (N/S)	CW246 (N/S)	CS246 (N/S)	121.47	4	47
	CB258*	CN258 (N/S)	CW258 (N/S)	CS258 (N/S)	137.17	5	54
	CB270*	CN270 (N/S)	CW270 (N/S)	CS270 (N/S)	153.13	6	60
	Panels packaged in components. One panel per box. Panel length is 94-5/8" (Installed post spacing to be 97-5/8" O.C.). Each panel has 21 pickets on 4-3/8" centers. See Page 4-11 for 2-Rail Walk Gate Kit information.						
Classic™ Panels (3-Rail) 8' - 1-5/8" O.C.  21 Pickets Per Panel	CB334 (N/S)	CN334 (N/S)	CW334 (N/S)	CS334 (N/S)	132.06	3	50
	CB340 (N/S)	CN340 (N/S)	CW340 (N/S)	CS340 (N/S)	139.04	3-1/2	54
	CB346	CN346 (N/S)	CW346 (N/S)	CS346 (N/S)	145.77	4	57
	CB358	CN358 (N/S)	CW358 (N/S)	CS358 (N/S)	161.45	5	64
	CB370*	CN370 (N/S)	CW370 (N/S)	CS370 (N/S)	175.59	6	70
	Panels packaged in components. One panel per box. Panel length is 94-5/8" (Installed post spacing to be 97-5/8" O.C.). Each panel has 21 pickets on 4-3/8" centers. See Page 4-12 for 3-Rail Walk Gate Kit information.						

ITEM DESCRIPTION	PART NUMBER/COLOR				DEALER PRICE	FENCE HT	WT
	BLACK	BRONZE	WHITE	DESERT SAND			
Majestic™ Panels (2-Rail) 8' - 1-5/8" O.C.  21 Pickets Per Panel	MB234	MN234 (N/S)	MW234	MS234 (N/S)	107.78	3	40
	MB240	MN240 (N/S)	MW240 (N/S)	MS240 (N/S)	114.71	3-1/2	44
	MB246	MN246	MW246	MS246	121.47	4	47
	MB258*	MN258* (N/S)	MW258*	MS258*	137.17	5	54
	Panels packaged in components. One panel per box. Panel length is 94-5/8" (Installed post spacing to be 97-5/8" O.C.). Each panel has 21 pickets on 4-3/8" centers. See Page 4-11 for 2-Rail Walk Gate Kit information.						
Majestic™ Panels (3-Rail) 8' - 1-5/8" O.C.  21 Pickets Per Panel	MB334	MN334 (N/S)	MW334 (N/S)	MS334 (N/S)	132.06	3	50
	MB340	MN340 (N/S)	MW340 (N/S)	MS340 (N/S)	139.04	3-1/2	54
	MB346	MN346	MW346	MS346 (N/S)	145.77	4	57
	MB358*	MN358*	MW358* (N/S)	MS358* (N/S)	161.45	5	64
	MB370*	MN370* (N/S)	MW370* (N/S)	MS370* (N/S)	175.59	6	70
	Panels packaged in components. One panel per box. Panel length is 94-5/8" (Installed post spacing to be 97-5/8" O.C.). Each panel has 21 pickets on 4-3/8" centers. See Page 4-12 for 3-Rail Walk Gate Kit information.						

*Meets IBC Pool Code (read DISCLAIMER on Page 4-4)
 N/S = Non Stock Item - Check with Sales for availability.