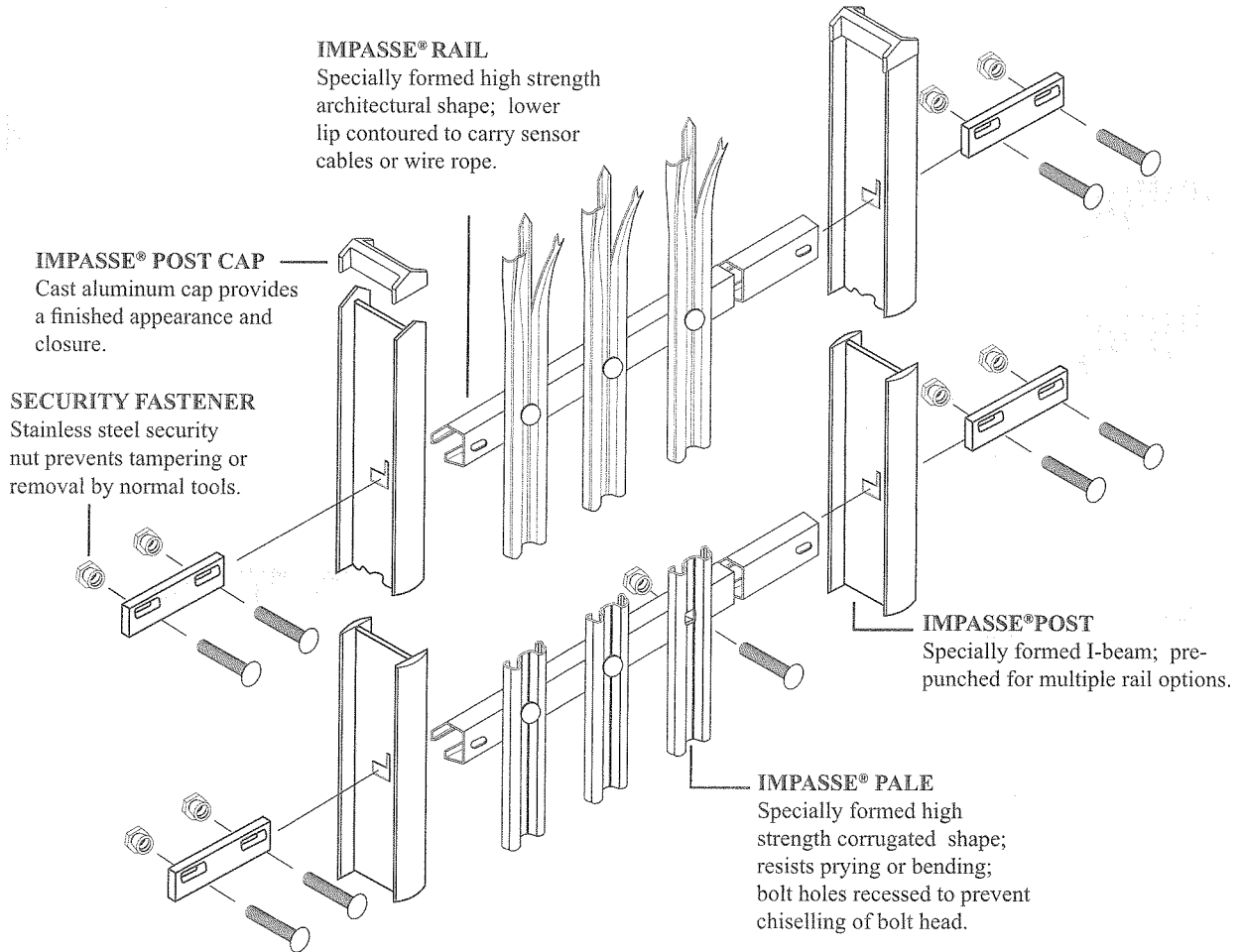
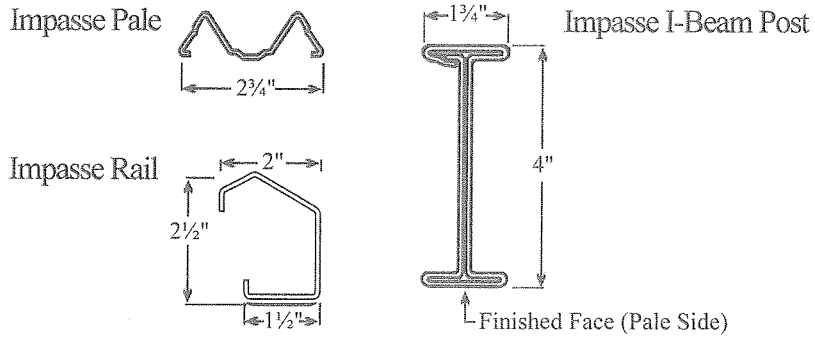


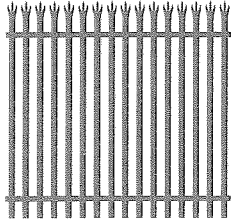
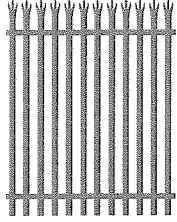
# IMPASSE®

## SECURITY FENCE

See Specification on Page 9-19



SECURITY • STRENGTH • VALUE • QUALITY • APPEARANCE

ITEM DESCRIPTION	BLACK		COLOR				FENCE HT	WT EA
	PART	PRICE	BRONZE	WHITE	DESERT SAND	PRICE		
2-Rail Trident™ Panels (8')   16 Pales Per Panel	3TB20708	295.85	3TN20708	3TW20708	3TS20708	310.64	6	146
	3TB20828	332.59	3TN20828	3TW20828	3TS20828	349.22	7	165
	3TB20948	365.95	3TN20948	3TW20948	3TS20948	384.25	8	184
	Panel prices include 5/16" x 5/8" stainless steel carriage bolts and 5/16" stainless steel security nuts to attach pales to rails. 8' panel lengths are available in heights up to 8' tall.							
2-Rail Trident™ Panels (6')   12 Pales Per Panel	3TB20706	219.43	3TN20706	3TW20706	3TS20706	230.40	6	109
	3TB20826	246.38	3TN20826	3TW20826	3TS20826	258.69	7	124
	3TB20946	270.83	3TN20946	3TW20946	3TS20946	284.38	8	138
	3TB21066	297.10	3TN21066	3TW21066	3TS21066	311.96	9	152
	3TB21186	322.69	3TN21186	3TW21186	3TS21186	338.83	10	166
Panel prices include 5/16" x 5/8" stainless steel carriage bolts and 5/16" stainless steel security nuts to attach pales to rails. 6' panel lengths are available in heights up to 10' tall.								

**Note:** Panel prices do not include panel brackets. (See pricing on Page 9-16)

Post Size	1-Beam (1-3/4" x 4")	3" Sq.	4" Sq.	6" Sq.
Bracket Type	Impasse Line (BB601)	Impasse End (BB602)		
		w/3GPBB3 Bolts	w/3GPBB4 Bolts	w/3GPBB6 Bolts
Post Settings ± 1/2" O.C. for Span of 6' Nominal (71-1/4" Rail)	72"	74-3/4"	75-3/4"	77-3/4"
Post Settings ± 1/2" O.C. for Span of 8' Nominal (92-1/4" Rail)	96"	98-3/4"	99-3/4"	101-3/4"

